

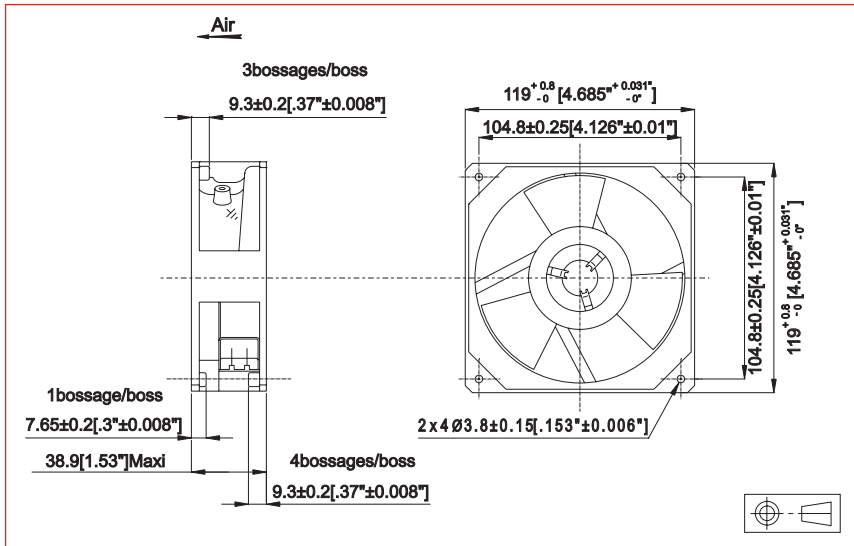
4,724" x 4,724" x 1,496"

120 x 120 x 38 mm

Series
141L

ETRI

AC Axial Fans



Approvals



Life expectancy

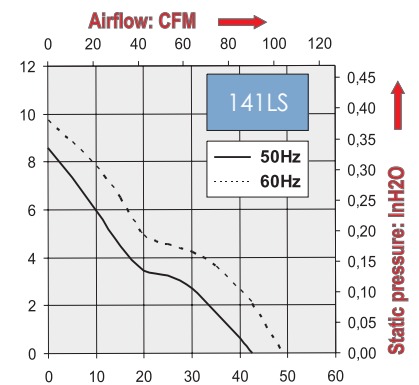
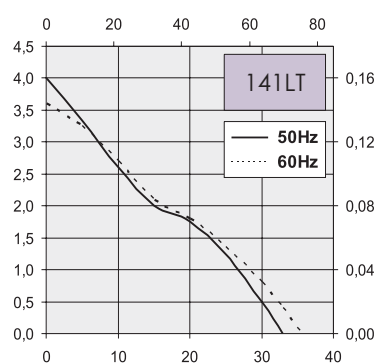
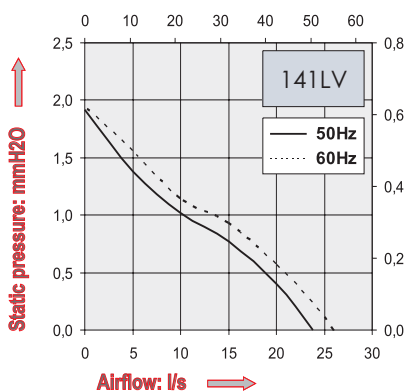
L-10 LIFE AT 40°C:
80 000 hours

AC Motor

Electrical protection: impedance protected
Housing material: zamak
Impeller material: plastic UL 94 VO
Weight: 725 g
Bearing system: ball bearings

Available with:

- Flying leads
- Speed sensor



Part Number	Nominal voltage	Airflow	Noise level	Nominal speed	Frequency	Phases	Capacitor	Input Power	Nominal current	Starting current	Connection type		Operating temperature	
	V										l/s	dB(A)	RPM	Hz
141LV-0282-010	115	23,5	27,5	1600	50	1		9	110	125	X	X	-10	70
		26	28	1700	60	1		8	100	110	X	X	-10	70
141LV-0281-010	208-240	23,5	27,5	1600	50	1		10	60	70	X	X	-10	70
		26	28	1700	60	1		9	55	65	X	X	-10	70
141LT-0282-010	115	33	35	2200	50	1		10	125	160	X	X	-10	70
		35	38,5	2400	60	1		9	110	140	X	X	-10	70
141LT-0281-010	208-240	33	35	2200	50	1		12	75	90	X	X	-10	70
		35	38,5	2400	60	1		10	65	75	X	X	-10	70
141LS-0282-010	115	42	44,5	2800	50	1		13	160	275	X	X	-10	70
		48	49,5	3200	60	1		12	140	240	X	X	-10	70
141LS-0281-010	208-240	42	44,5	2800	50	1		14	95	150	X	X	-10	70
		48	49,5	3200	60	1		12	80	130	X	X	-10	70

Additional versions:

Salt spray protected - shock and vibration protected - marine specifications - wide temperature range
IP54: consult factory

Accessories:

Refer to Accessories leaflet